

# ENQUIRY FORM

## Address

Company / name \_\_\_\_\_  
Contact person \_\_\_\_\_  
Street \_\_\_\_\_  
Postcode / town \_\_\_\_\_  
Phone \_\_\_\_\_  
Fax \_\_\_\_\_  
E-mail \_\_\_\_\_  
BV / Commission \_\_\_\_\_

## Version:

Application  heating  drinking water  cold water  
Material  steel  stainless steel  steel enamelled

## Size

Content l \_\_\_\_\_  
 without insulation cm \_\_\_\_\_  
Height without insulation cm \_\_\_\_\_  
Tilting dimension cm \_\_\_\_\_  
Operating pressure bar \_\_\_\_\_  
Operating temperature °C \_\_\_\_\_  
(max. 95° C buffer storage tank, max. 50° C cold water buffer storage tank)

## Connections

Sleeve number \_\_\_\_\_ DN \_\_\_\_\_  IG  AG  AG flat sealing  
Flange number \_\_\_\_\_ DN \_\_\_\_\_ PN \_\_\_\_\_  
Sensor number \_\_\_\_\_ DN \_\_\_\_\_  
Further  ventilation  emptying  revision  
Surface heat exchanger m<sup>2</sup> \_\_\_\_\_

## Insulation

Insulation  factory-provided  provided by the customer  without insulation thickness [mm] \_\_\_\_\_  
Version  PU-soft foam  PU-hard foam  diffusion-proof

## Dimensions and connection sketch

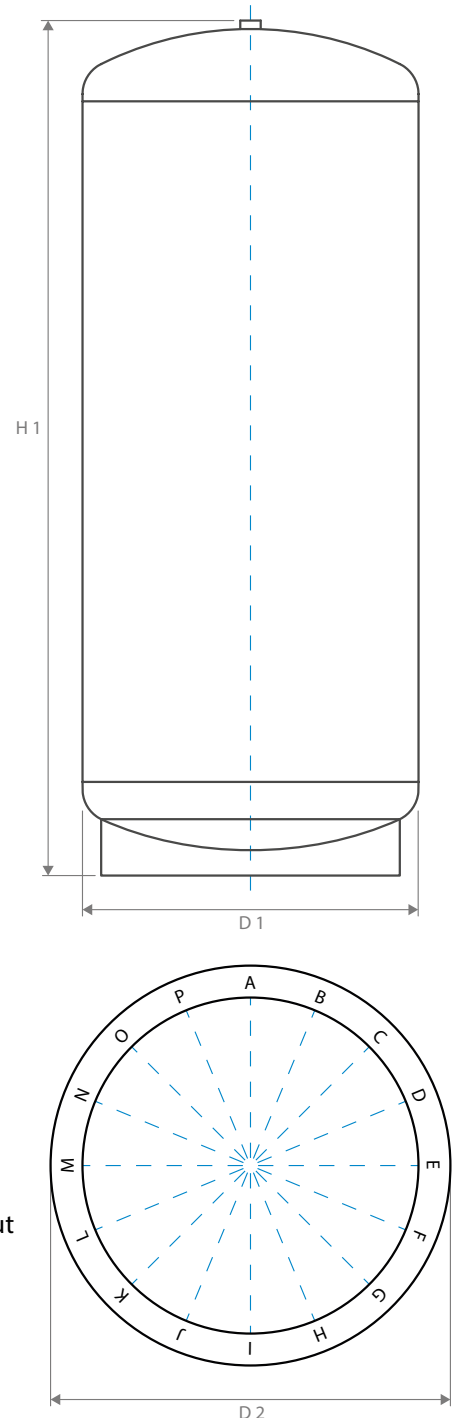
if available please send

Desired delivery date \_\_\_\_\_

Date \_\_\_\_\_ stamp / signature \_\_\_\_\_

by mail: [info@klara.cc](mailto:info@klara.cc) or Fax: +49 7525 / 924 383

[www.heatStixx.de](http://www.heatStixx.de)



**kraftBoxx**  
POWER TO HEAT SYSTEMS

kraftBoxx gmbh  
Riedweg 5, 88326 Aulendorf  
Phone: +49 7525 / 924 382  
E-mail: [info@kraftBoxx.de](mailto:info@kraftBoxx.de)  
Web: [www.heatStixx.de](http://www.heatStixx.de)