

ENQUIRY FORM

Address

Company / name _____
Contact person _____
Street _____
Postcode / town _____
Phone _____
Fax _____
E-mail _____
BV / Commission _____

Version:

Application heating drinking water cold water
Material steel stainless steel steel enamelled

Size

Content l _____
 without insulation cm _____
Height without insulation cm _____
Tilting dimension cm _____
Operating pressure bar _____
Operating temperature °C _____
(max. 95° C buffer storage tank, max. 50° C cold water buffer storage tank)

Connections

Sleeve number _____ DN _____ IG AG AG flat sealing
Flange number _____ DN _____ PN _____
Sensor number _____ DN _____
Further ventilation emptying revision
Surface heat exchanger m² _____

Insulation

Insulation factory-provided provided by the customer without
insulation thickness [mm] _____
Version PU-soft foam PU-hard foam diffusion-proof

Dimensions and connection sketch

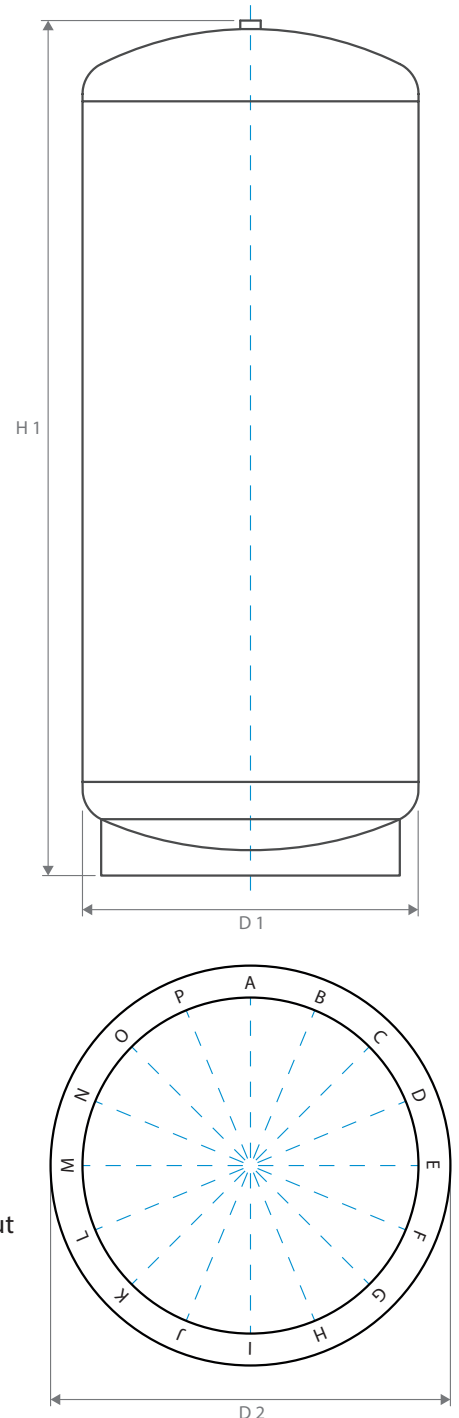
if available please send

Desired delivery date _____

Date _____ stamp / signature _____

by mail: info@klara.cc or Fax: +49 7525 / 924 383

www.heatStixx.de



kraftBoxx
POWER TO HEAT SYSTEMS

kraftBoxx gmbh
Riedweg 5, 88326 Aulendorf
Phone: +49 7525 / 924 382
E-mail: info@kraftBoxx.de
Web: www.heatStixx.de